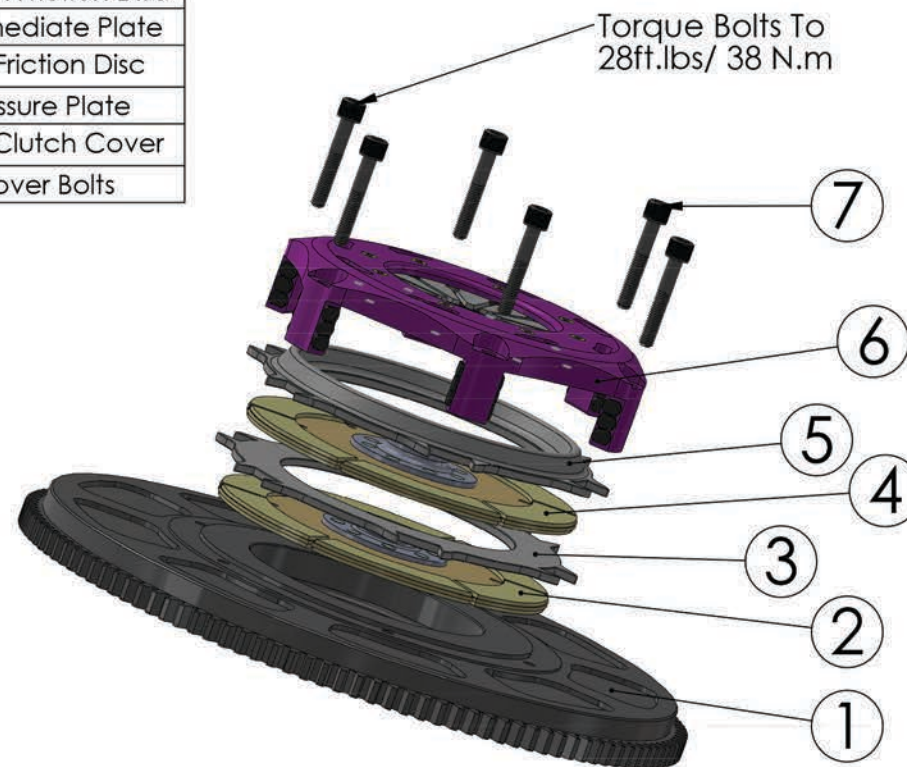
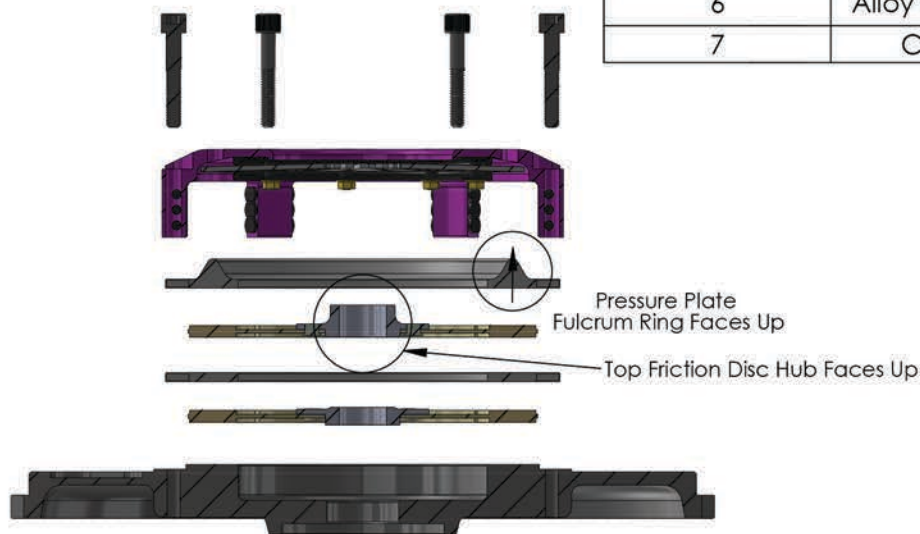




Multi-plate Installation Tech-Bulletin

Installation Order	Part
1	Flywheel
2	Bottom Friction Disc
3	Intermediate Plate
4	Top Friction Disc
5	Pressure Plate
6	Alloy Clutch Cover
7	Cover Bolts



The Real Performance Clutch

185MM